





Twin wall insulated chimney system for stoves & fireplaces



0071-CPD-0011

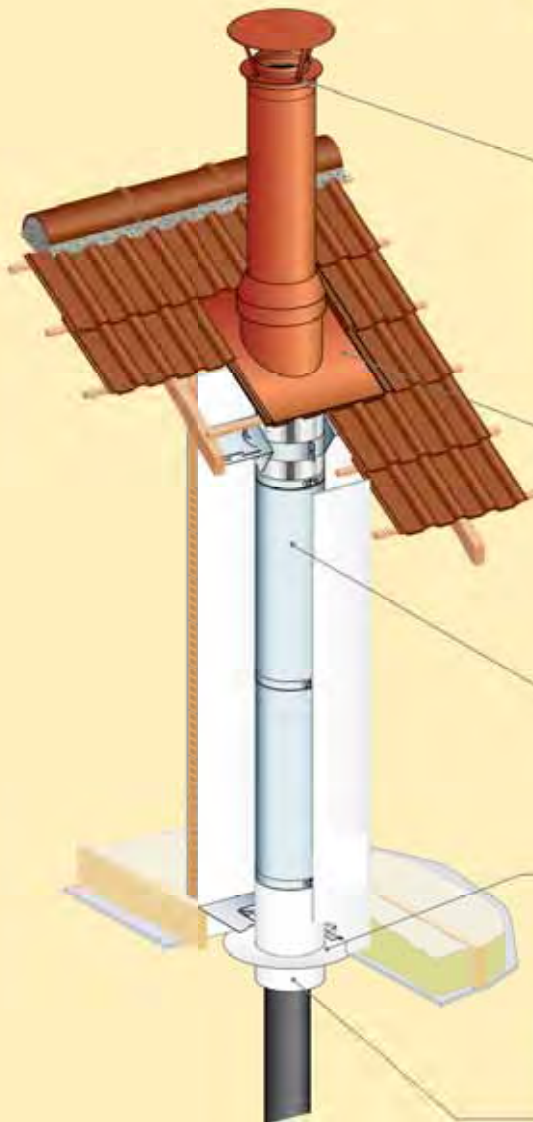
T450-N1-W-V2-L50040-G50

THERMINOX

TWIN WALL INSULATED MULTI-FUEL SYSTEM CHIMNEY



THERMINOX is a high quality, multi-fuel, stainless steel twin wall chimney system. Available as TI with a bright stainless steel outer case and ZI offering better value for internal use. THERMINOX is designed for use with all solid fuel, wood, coal, gas, oil and pellet heating appliances. It is ideally suited for operating temperature up to 450°C and comes with a **10 year AXA backed guarantee**.



> Terminals



Rain Cap



Vented Cap

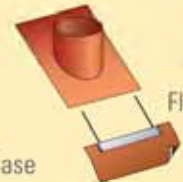


STI Chimney Stack

> Flashings



Lead Base



STI Flashing

> Twin Wall



Therminox ZI

> Fire-stop Plates



Ventilated Fire-Stop



Solid Fire-Stop

Poujoulat Adding Value



Our **Pipe Connection Length** (Ref. EDP) provides the perfect aesthetic connection between the chimney and the Enamel *Premium* flue pipe.

TECHNICAL DATA



DESIGNATION / (BS EN 1856-1)
T 450 N1 W V2 L50040 G50

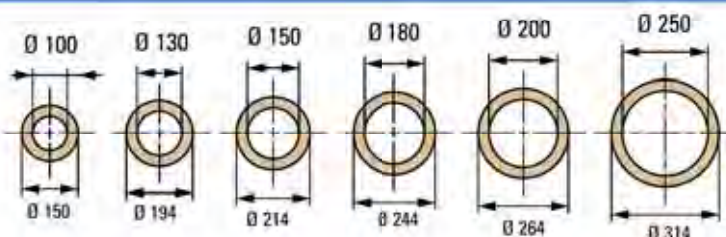
- T 450 : Normal operating temperature
- N1 : Pressure level (N1 : negative pressure chimney)
- W : Resistance to condensate (W = wet : condensation)
- V2 : Corrosion resistance (solid fuel, wood, gas & oil)
- L50040 : L50 = W. AISI 316 L (Nr. 1.4404)
Wall thickness (0.4 mm)
- G : Sootfire resistant
- 50 : Minimum distance to combustible materials of 50 mm

PRINCIPLE BENEFITS

- > With the use of a Reinforced Locking Band (CMU), THERMINOX can be installed **up to 3 metres freestanding** above the last support (2 metres as standard). The chimney can be as much as **4 metres between Wall Brackets (CMI)** and can take the weight of a chimney up to **16 metres high** using a **Wall Support (SMI/SM)**.
- > Its **30 mm thick insulation** (high density injected mineral wool) ensures THERMINOX has exceptional thermal properties that guarantees a true **50 mm clearance to combustible materials**. The easy push-fit joint being fully insulated ensures no hot spots.
- > Using THERMINOX, the installer can safely choose to use a **Solid Fire-Stop Plate** at ceiling level in the room of the appliance.
- > Every component is supplied with a **recessed Locking Band**, giving THERMINOX the best aesthetic appearance for any application. The safety ring guarantees the **security of the joint for life**.

TECHNICAL FEATURES

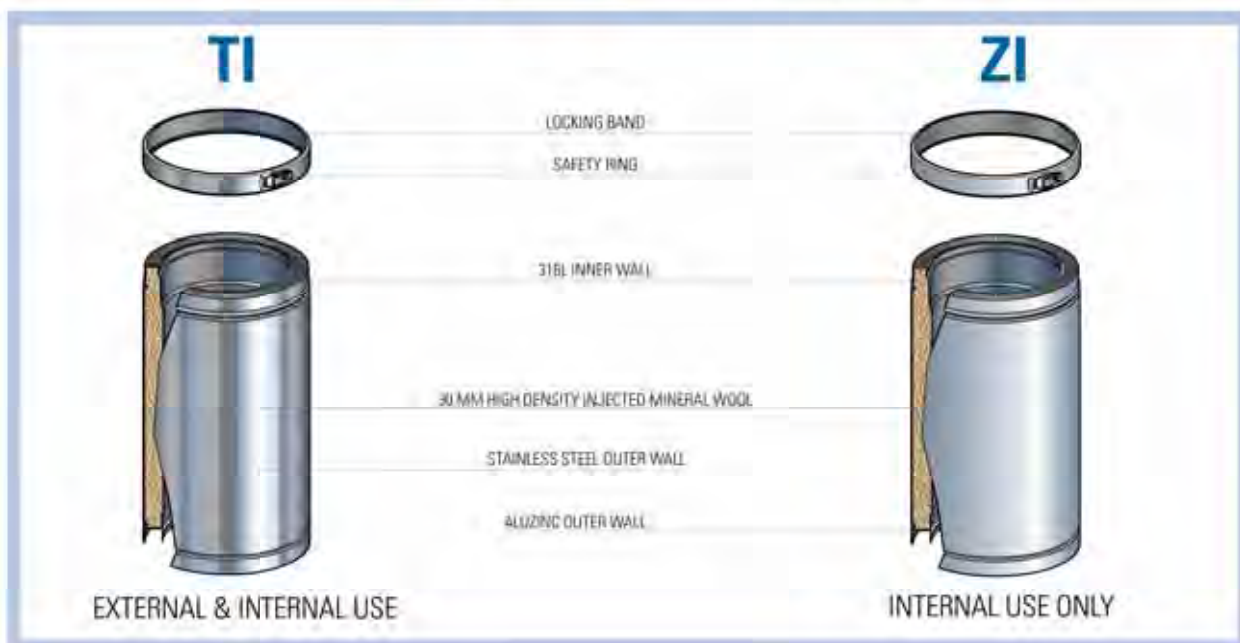
	100	130	150	180	200	250
Inner Ø (mm)	100	130	150	180	200	250
Outer Ø (mm)	150	194	214	244	264	314
Insulation	25 mm	30 mm				
	High pressure injected mineral wool					
THERMINOX TI	Inner wall : AISI 316 L, 0.4 mm Outer wall : AISI 304 or equivalent, 0.4 mm					
Thermal resistance (m² K/W)	0,45	0,53				



> Other diameters **up to 600mm** also available to order, please refer to our **THERMINOX COMMERCIAL RANGE**.

THERMINOX

TWIN WALL INSULATED MULTI-FUEL CHIMNEY SYSTEM



FINISHES

THERMINOX ZI



is - **20%** less than the Therminox TI Price

RAL COLOUR (POWDER COATED)



is an additional + **18%** to the Therminox TI Price

COPPER OUTER CASE

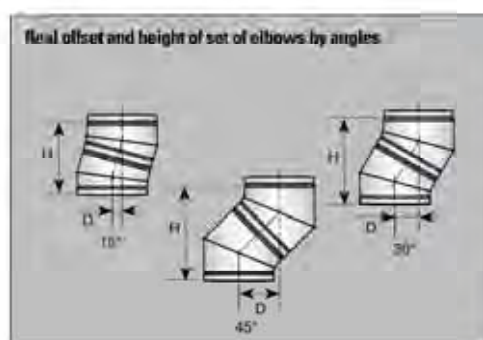


is an additional + **40%** to the Therminox TI Price

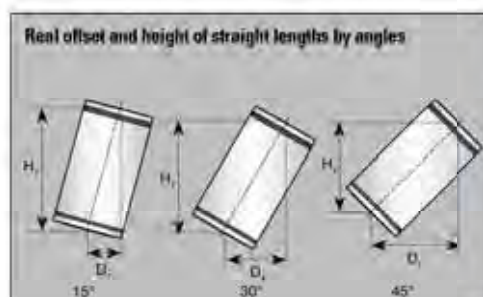
TO CALCULATE THE OFFSET

To calculate the offset

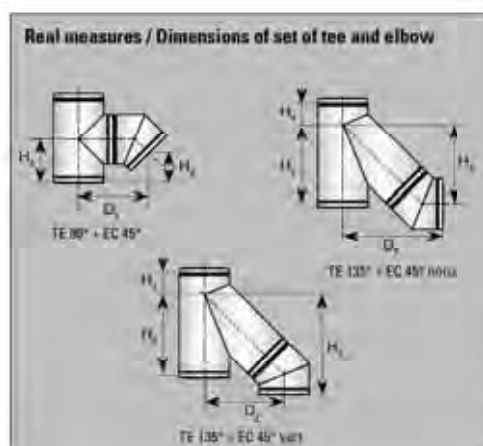
- Choose the required angle and select the right column.
- Add the offset of the elbows (D) to the straight lengths (D1) to achieve the required offset.
- Add values H to H1 to know the height of the installation once set.
- Check whether you have enough room for the installation as quoted.



	15°		30°		45°	
	D	H	D	H	D	H
Ø 100	35	264	67	251	116	281
Ø 130	35	262	80	299	133	320
Ø 160	36	272	84	314	142	342
Ø 180	37	277	88	327	149	359
Ø 200	37	283	91	338	155	373
Ø 260	39	295	97	363	169	409

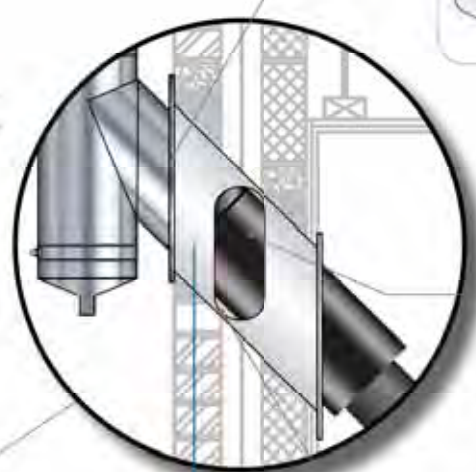
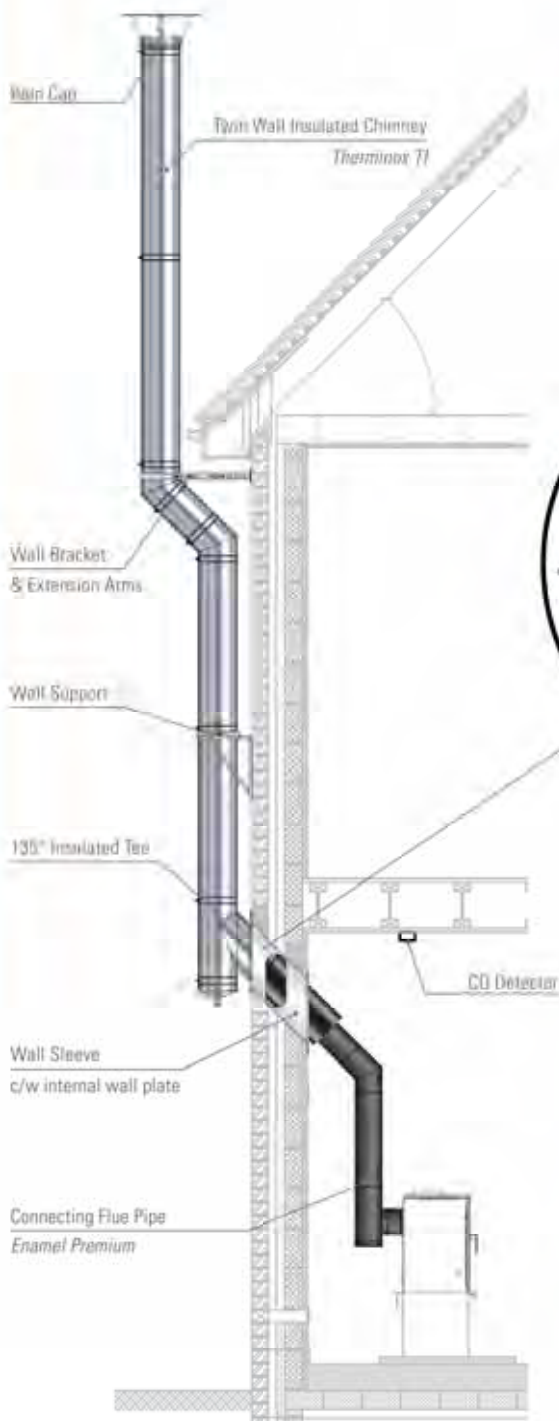


	15°		30°		45°	
	D ₁	H ₁	D ₁	H ₁	D ₁	H ₁
ED 1011	26	97	50	87	71	71
ED 250	65	242	125	217	177	177
ED 450	117	435	225	390	318	318
EB 1000	246	918	475	823	672	672
ED 1200	298	1111	575	996	813	813



	90° Tee + 45° elbow			135° tee + 45° elbow horizontally				135° tee + 45° elbow vertically			
	H ₂	D ₂	H ₁	H ₂	D ₂	H ₂	H ₁	H ₂	D ₂	H ₂	H ₁
Ø 100	142	257	76	250	322	228	99	250	228	322	99
Ø 130	183	306	119	324	386	295	123	324	295	386	123
Ø 150	203	328	135	324	400	303	123	324	303	400	123
Ø 180	234	351	162	451	542	440	96	451	440	542	96
Ø 200	234	368	159	451	526	420	96	451	420	526	96
Ø 250	224	406	141	533	626	510	114	533	510	626	114

TYPICAL EXTERNAL INSTALLATION



135° WALL SLEEVE

- > Allows the installer to bridge the cavity forming a protective sleeve around the chimney system
- > It can also be cut to length.

TYPICAL INTERNAL INSTALLATION

